

MANUAL DEL DISPOSITIVO DE MEDICIÓN FIXTURE AND GAGE



Universidad Politécnica de Guanajuato

Correcaminos UPG

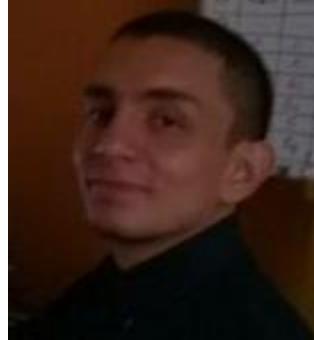


A. Contact Information.

- Name of College: Universidad Politécnica de Guanajuato “Upgto.”
- City or Province of College location: Cortazar, Guanajuato.
- Responsible Professor: Juan José Núñez Orozco (Projects, Lean Manufacturing and Plan Engineering).

MANUAL DEL DISPOSITIVO DE MEDICIÓN FIXTURE AND GAGE

- **Team Members:**



- Aguilar Balderas David Javier, level 10°



- Alvarez Barrera Edgardo, level 10°



- Cerca Mata Oscar Afredo, level 10°



- Suaste Arriaga Gabriela Alejandra, level 10°

MANUAL DEL DISPOSITIVO DE MEDICIÓN FIXTURE AND GAGE

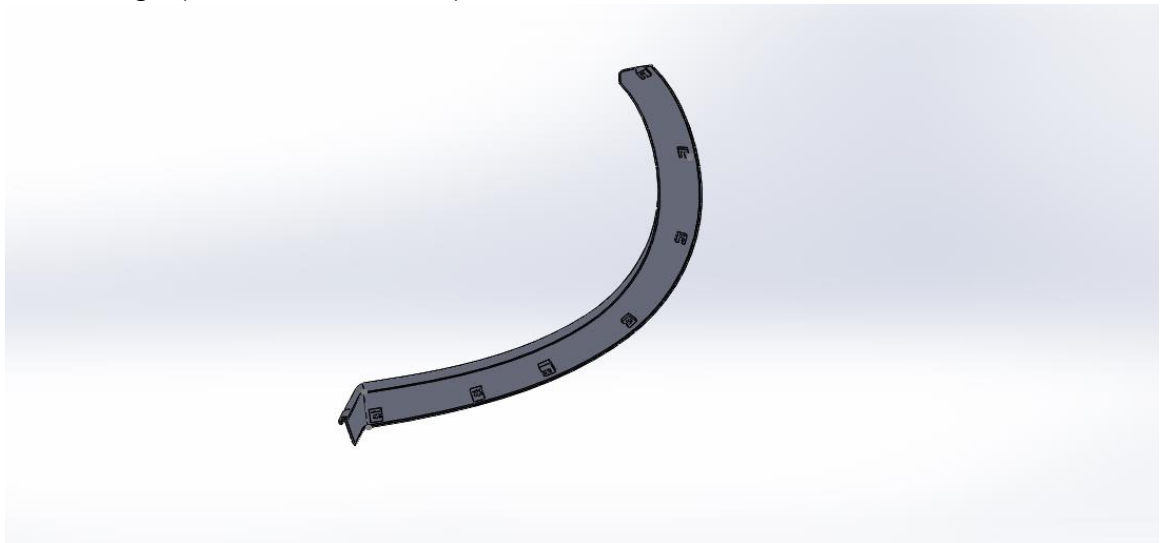
- Team Name: CORRECAMINOS UPG

B. GM Part integrity.

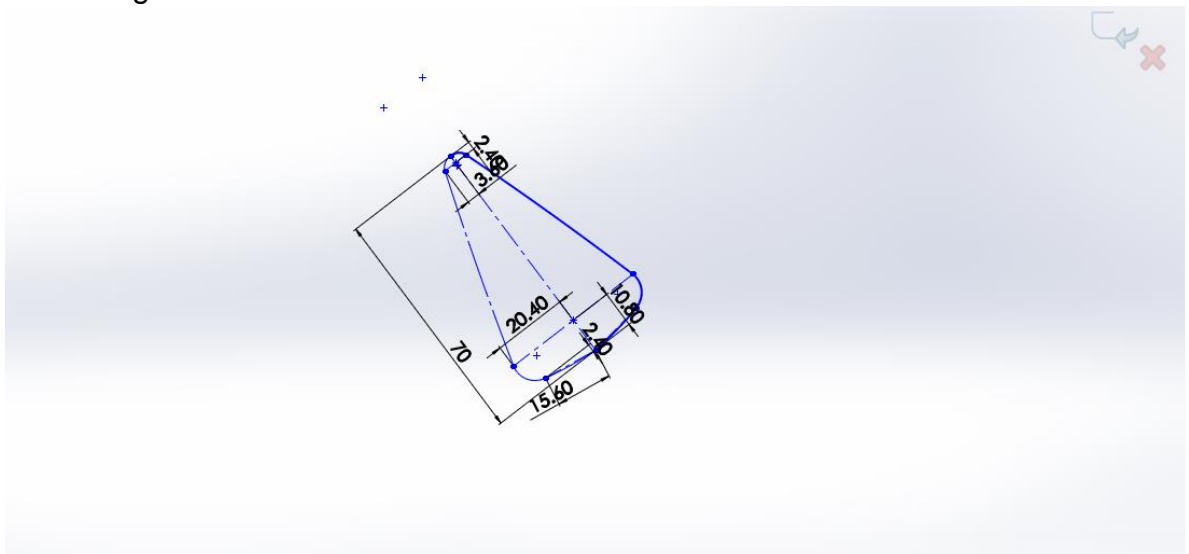
- The vehicle component is GM's property and will be returned to GM team at the end of contest, entirely and undamaged within its container (December 02, 2016)
- Vehicle part name:

C. Checking Fixture design.

- Part design (3D model software): SolidWorks.



- Part design 2D: SolidWorks



MANUAL DEL DISPOSITIVO DE MEDICIÓN FIXTURE AND GAGE

